



The Mercedes-Benz Sprinter.

Chassis Cab and Chassis Crewcab models.

Prices effective from January 2025.

Mercedes-Benz





RETURN TO START

Contents

> Model overview	3
> Models	
Sprinter Chassis Cab	4
Sprinter Chassis Crewcab	5
> Colours and Upholstery	6
> MBUX infotainment system	7
> Equipment	8
> Engine and gearbox	17
> Fuel consumption	18
> Weights and payloads	20
> Dimensions	21
> List prices	25
> Mercedes-Benz Finance Options	26
> The Mercedes-Benz App	27
> Approved Used	28
> Aftercare	29

Please note

This document provides information about the model range line-up and specifications of the Sprinter. It also contains key details about options, economy and performance of all variants. Details are correct at time of publication and are subject to revision. Any images used in this document may not reflect UK specification and are for illustrative purposes only. Images may show optional equipment which does not form part of UK standard specification.



RETURN TO START

The Mercedes-Benz Sprinter Chassis Cab and Chassis Crewcab.



Chassis Cab - 3 seats



Chassis Crewcab - 6 seats

Available in 2 emission categories:

Euro 6e (Light duty)
Euro VI (Heavy duty)

2 models:



L2



L3

2 lengths:

Discover more about the other Mercedes-Benz Sprinter diesel models in our range:

[▶ The Sprinter Panel Van](#)

Discover more about the Mercedes-Benz Sprinter electric models in our range:

[▶ The eSprinter Panel Van](#)

The Sprinter Chassis Cab.

All Chassis cabs come with the following equipment as standard:

Exterior

- Electrically adjustable, heated exterior mirrors
- Extended mirror bracket
- 16" Steel wheels

Interior

- Multifunction steering wheel
- Height and rake adjustable steering wheel
- Instrument cluster with colour display
- Co-driver's double seat
- Comfort overhead control panel
- USB socket, 5 V
- Stowage compartment underneath cockpit
- Shelf above windscreen

Technology

- MBUX Multimedia system
- Digital radio (DAB)
- Acoustic package
- ECO Start/Stop
- Pre-installation: Remote services plus
- Pre-installations electrical system, PSM
- Pre-installation for switch panel
- Smartphone integration package

Safety, security and connectivity

- Active Brake Assist
- Pre-wiring reversing camera with interior mirror display
- Pre-installation: Blind Spot Assist
- Sideguard Assist
- Crosswind Assist
- Active Lane Keeping Assist
- Intelligent Speed Assistant
- ATTENTION ASSIST
- Headlight assistant
- Tyre pressure monitoring front and rear
- Breakdown management
- Hill-Start Assist
- Cruise control
- Rain sensor
- Driver's and Co-driver's airbag
- Alarm and double locks

Chassis PRO cabs feature additional equipment:

- TEMPMATIC air conditioning
- Armrest for driver's seat
- 93 litre main tank



RETURN TO START



From £42,545*

* Based on a Sprinter 315 Chassis L2 RWD

- **3.5t vehicle dimensions as follows:**
- **FWD and RWD options available**
- L2: 5,986mm (FWD) or 5,886mm (RWD)
- L3: 6,696mm (RWD)

➤ [Arrange a test drive at your nearest Dealership](#)

The Mercedes-Benz Sprinter

4

The Sprinter Chassis Crewcab.

All Chassis crewcabs come with the following equipment as standard:

Exterior

- Additional passenger doors
- Electrically adjustable, heated exterior mirrors
- Extended mirror bracket
- 16" Steel wheels

Interior

- Multifunction steering wheel
- Height and rake adjustable steering wheel
- Instrument cluster with colour display
- Passenger seat compartment – 3-seater bench
- Co-driver's double seat
- Comfort overhead control panel
- USB socket, 5 V
- Stowage compartment underneath cockpit
- Shelf above windscreen
- Clothes hook in passenger compartment

Technology

- MBUX Multimedia system
- Digital radio (DAB)
- Acoustic package
- ECO Start/Stop
- Pre-installation: Remote services plus
- Pre-installations electrical system, PSM
- Pre-installation for switch panel
- Smartphone integration package

Safety & Driver Assistance

- Active Brake Assist
- Pre-wiring reversing camera with interior mirror display
- Pre-installation: Blind Spot Assist
- Sideguard Assist
- Crosswind Assist
- Active Lane Keeping Assist
- Intelligent Speed Assistant
- ATTENTION ASSIST
- Headlight assistant
- Tyre pressure monitoring front and rear
- Breakdown management
- Hill-Start Assist
- Cruise control
- Rain sensor
- Driver's and Co-driver's airbag
- Alarm and double locks

From £46,635*

* Based on a Sprinter 315 Crewcab L3 RWD

• **1 length available**

315 L3: 6,696mm | 515 L3: 6,864mm

• **RWD only**

➤ [Arrange a test drive at your nearest Dealership](#)



RETURN TO START



Black ARTICO man-made leather (Optional)



The Mercedes-Benz Sprinter

5

Overview	Sprinter Chassis Cab	Sprinter Chassis Crewcab	Colours	MBUX	Equipment	Engine and gearbox	Fuel consumption	Weights and payloads	Dimensions	List prices	Finance Options	Mercedes-Benz App	Approved Used	Aftercare
----------	----------------------	--------------------------	---------	------	-----------	--------------------	------------------	----------------------	------------	-------------	-----------------	-------------------	---------------	-----------

Colours and upholstery.

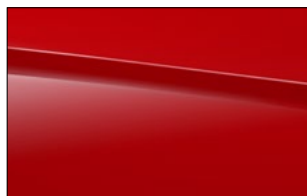


RETURN TO START

Solid paints



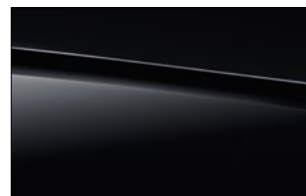
Arctic White
(Standard on the Sprinter Chassis van)



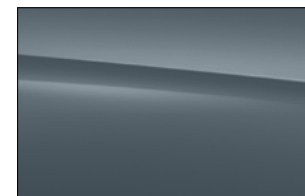
Jupiter Red



Steel Blue



Jet Black

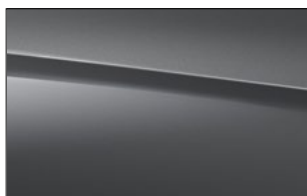


Blue Grey

Metallic paints



Tenorite Grey Metallic



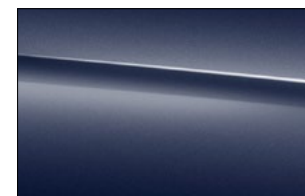
Selenite Grey Metallic



Obsidian Black Metallic

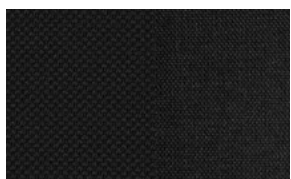


High Tech Silver Metallic

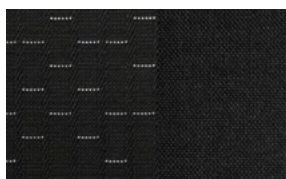


Cavansite Blue Metallic

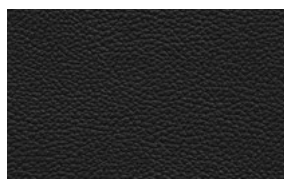
Interior upholstery



Maturin black fabric (Standard)



Caluma black fabric



Black ARTICO man-made leather

➤ [For upholstery pricing, see page 11](#)

Due to limitations of on-screen representation, the vehicle colours may differ in reality to the on-screen images.



RETURN TO START

MBUX – the Mercedes-Benz User Experience infotainment system.

The Mercedes-Benz state-of-the-art infotainment system now has increased computing power, improved functionality in controlling vehicle functions and better compatibility with mobile devices.

It includes the following features:

Standard features

- 2-way front speaker, 4 x 25 W output, sound settings, separate volume settings for audio and phone
- AM/FM radio with dual tuner
- Bluetooth connectivity with audio streaming
- Center-fill speakers for improved sound quality and voice output
- Digital Instruction Manual
- Extensive personalization options with up to seven profiles²
- High-resolution 10.25-inch touchscreen (1,920 x 720 pixels)
- LINGUATRONIC voice control with optimized, intuitive voice assistant
- Multimedia interface with three backlit 18 W PPS USB-C ports
- Online Music^{1,2}: Tidal, Amazon Music, Spotify.
- Over-the-air (OTA) updates²
- Seat-based voice recognition for driver and front passenger³
- Wi-Fi hotspot
- Wireless remote UI connection for Apple CarPlay and Android Auto⁴

1 Service Entertainment Package required

2 via The Mercedes-Benz App

3 only together with comfort overhead control panel (LC4)

4 only in conjunction with Smartphone integration package (E4S)



Equipment (standard and optional overview).



RETURN TO START

Key: ● Standard ○ Optional — Not available

Category	Description	Option code	Chassis cab FWD	Chassis cab RWD	Chassis cab PRO RWD	Chassis Crewcab RWD	Basic Price excl. VAT	Basic Price incl. VAT
Exterior Features								
Axle	Front axle with upgraded axle load	A50	○	○	○	●	£335.00	£402.00
	Rear axle springs for increased payload	C83	○	○	—	○	£335.00	£402.00
Exhaust	Exhaust straight to chassis rear	K60	○	○	○	○	£105.00	£126.00
Fuel tank	Main tank 65 litres	K12	●	—	—	—	—	—
	Main tank 71 litres	K13	—	●	○	●	£0.00	£0.00
	Main tank, 93 litres	KB7	—	—	●	—	—	—
	Fuel filter with water separator	KL5	○	○	○	○	£195.00	£234.00
Mud flaps	Front mud flaps	P47	○	○	○	○	£60.00	£72.00
	Rear mud flaps (not available on 5t)	P48	—	—	○	○	£60.00	£72.00
Paint	Chrome-plated radiator grille	FK3	—	—	○	—	£275.00	£330.00
	Radiator grille frame in vehicle colour	CN2	—	—	○	—	£120.00	£144.00
Power Take Off	Constant speed control	M53	○	○	○	○	£470.00	£564.00
	Electronic engine speed governor, variable	MT4	○	○	○	○	£505.00	£606.00
	PTO counter shaft MB, (2c)	N05	—	○	○	○	£2,095.00	£2,514.00
	PTO counter shaft MB, (2b)	N07	—	○	○	○	£2,205.00	£2,646.00
	PTO at front with bracket for extra alternator	N62	—	○	○	○	£560.00	£672.00
	Engine PTO, front, w. carrier f. add. refriger. compr.	N63	○	○	○	○	£530.00	£636.00
Suspension	Stabilisation level I (not available on 515 L3s)	CB7	●	●	●	●	—	—
	Air suspension - run-on module 30 min	C1N	—	○	○	○	£215.00	£258.00
	Air suspension for rescue vehicles	C1R	—	○	○	○	£115.00	£138.00
	Air susp - pre-installation, control switch, rear	C1V	—	○	○	○	£100.00	£120.00
	Air suspension - actuation, speed signal	C2A	—	○	○	○	£115.00	£138.00
	Air suspension - control switch, instrument panel	C2I	—	○	○	○	£180.00	£216.00

Changes to individual option availability and combinations may occur depending on vehicle specification choices and the continuing evolution and adaptation of our product range. These changes may not be immediately reflected in this document as they occur, but will be introduced at the next revision opportunity. Prices are based on Chassis RWD where available. Prices can vary according to vehicle specification.

Equipment (standard and optional overview).

● Standard ○ Optional – Not available



RETURN TO START

Category	Description	Option code	Chassis cab FWD	Chassis cab RWD	Chassis cab PRO RWD	Chassis Crewcab RWD	Basic Price excl. VAT	Basic Price incl. VAT
Exterior Features (cont.)								
Suspension (cont.)	Air suspension - valve for emergency filling	C2V	–	○	○	○	£165.00	£198.00
	Shock absorbers reinforced (not available on 5t)	C47	○	○	○	–	£135.00	£162.00
	Suspension for comfort and load protection	CB1	○	○	○	○	£295.00	£354.00
	Comfort suspension, air suspension	CB2	–	○	○	○	£3,930.00	£4,716.00
	Stabilisation level II (Standard on 5t L3s)	CB8	○	○	○	○	£885.00	£1,062.00
	Vibration damper (not available on 5t)	CT1	–	○	○	○	£105.00	£126.00
	Deletion, vehicle lowering (available on 3.5t variants only)	CW2	–	●	–	●	–	–
	Longitudinal member reinforcement	Q11	●	●	●	●	–	–
Tyres & Wheels	Tyres 195/75 R16 C (standard on 5t chassis cab)	RH1	–	●	●	–	–	–
	Tyres 235/65 R16 C (not available on 5t variants)	RH2	–	●	–	●	–	–
	Summer tyres	RM7	●	●	●	●	–	–
	Tyres, resistance-optimised	RR0	●	●	●	●	–	–
	Steel wheels 6.5 J x 16 (not available on 5t variants)	RS3	●	●	●	●	–	–
	Steel wheels 5.5 J x 16 (standard on 5t)	RS6	–	●	●	–	–	–
	Spare wheel bracket below frame end	R65	○	○	○	○	£105.00	£126.00
	Spare wheel	R87	○	○	○	○	£165.00	£198.00
	Full wheel cover (not available on 5t)	RD8	○	○	○	○	£85.00	£102.00
	Tyres without name of make	RD9	●	●	●	●	–	–
	Make of tyres Continental (10)	RF1	○	○	○	○	£0.00	£0.00
	Make of tyres Michelin (80) (not available on 5t variants)	RF8	○	○	–	○	£0.00	£0.00
	Make of tyres Goodyear (90)	RF9	–	○	○	○	£0.00	£0.00
	Tyres 205/75 R 16 C	RG3	–	–	○	–	£0.00	£0.00
	Tyres 225/75 R16 C	RG8	○	–	–	–	–	–
	Tyres 195/75 R16 C (standard on 5t)	RH1	–	●	●	–	–	–
	Tyres 235/60 R17 C (not available on 5t)	RH3	○	○	○	○	£0.00	£0.00
	Tyres 225/65 R16 C	RN5	●	–	–	–	–	–
	Tyre brand Hankook (only available on 5t)	RH6	–	○	○	–	£0.00	£0.00
	Light alloy wheels 6.5 J x 16 (not available on 5t variants)	RL5	○	○	–	○	£1,035.00	£1,242.00
Light alloy wheels 6.5 J x 17 (not available on 5t variants)	RL7	○	○	–	○	£1,130.00	£1,356.00	

Changes to individual option availability and combinations may occur depending on vehicle specification choices and the continuing evolution and adaptation of our product range. These changes may not be immediately reflected in this document as they occur, but will be introduced at the next revision opportunity. Prices are based on Chassis RWD where available. Prices can vary according to vehicle specification.

Equipment (standard and optional overview).

● Standard ○ Optional – Not available



RETURN TO START

Category	Description	Option code	Chassis cab FWD	Chassis cab RWD	Chassis cab PRO RWD	Chassis Crewcab RWD	Basic Price excl. VAT	Basic Price incl. VAT
Exterior Features (cont.)								
Tyres & Wheels (cont.)	All-season tires	RM0	○	○	○	○	£125.00	£150.00
	M+S tyres	RM1	○	○	○	○	£295.00	£354.00
	Steel wheels, arctic white	RM2	○	○	○	○	£80.00	£96.00
	Light-alloy wheels, 6.5 J x 16, black	RM3	○	–	–	–	£1,035.00	£1,242.00
	Steel wheels 8.5 J x 16 (available on 515s only)	RS5	–	–	–	–	–	–
	Jack	Y36	○	–	–	–	£60.00	£72.00
	Hydraulic Jack	Y43	–	○	○	○	£75.00	£90.00
Interior Features								
Gearbox	6-speed ECO Gear manual transmission	GD8	–	●	●	●	–	–
	6-speed ECO Gear High Torque manual transmission (standard on 5t)	GD9	–	–	●	–	–	–
	6-speed manual transmission	GE9	●	–	–	–	–	–
	9G-TRONIC	G43	–	○	○	○	£2,110.00	£2,532.00
Grab handles	Grab handle for inner seat, two-seater	S78	○	○	○	○	£75.00	£90.00
	Grab handles for driver's and co-driver's doors	T75	–	○	○	○	£85.00	£102.00
Heating	Heat insulation (available on 5t variants only)	H04	–	–	○	–	£185.00	£222.00
	Diesel-powered auxiliary air heater	H12	○	○	○	○	£1,010.00	£1,212.00
	Electrically powered hot-air auxiliary heater	HH2	○	○	○	○	£195.00	£234.00
	Adaption fittings for aux. heat exchanger	H88	○	○	○	–	£290.00	£348.00
	THERMOTRONIC automatic climate control	HH4	–	–	○	–	£545.00	£654.00
	Air con., semi-autom. controlled, TEMPMATIC	HH9	○	○	●	○	£1,070.00	£1,284.00
	Radio remote control for aux. water heater	HY1	○	○	○	○	£430.00	£516.00
	Heater booster	HZ9	○	○	○	○	£800.00	£960.00
	Winter package Includes wet wiper system (FM3), seat heating for co-driver (H15) and heated seat for driver (H16)	F2W	○	○	○	○	£560.00	£672.00
Winter Package Plus Includes wet wiper system (FM3), seat heating for co-driver (H15) and heated seat for driver (H16), Electrically powered hot-air auxiliary heater (HH2), Steering wheel heating (CK8), Heat insulation (H04); in combination with CL3 only	P3Z	–	–	○	–	£1,055.00	£1,266.00	

Changes to individual option availability and combinations may occur depending on vehicle specification choices and the continuing evolution and adaptation of our product range. These changes may not be immediately reflected in this document as they occur, but will be introduced at the next revision opportunity. Prices are based on Chassis RWD where available. Prices can vary according to vehicle specification.

Equipment (standard and optional overview).

● Standard ○ Optional – Not available



RETURN TO START

Category	Description	Option code	Chassis cab FWD	Chassis cab RWD	Chassis cab PRO RWD	Chassis Crewcab RWD	Basic Price excl. VAT	Basic Price incl. VAT
Interior Features (cont.)								
Seating	Adjustable co-driver's seat	S04	○	○	○	○	£95.00	£114.00
	Co-driver's double seat	S23	●	●	●	●	–	–
	Armrest for co-driver's seat	S25	○	○	○	○	£80.00	£96.00
	Armrest, driver's and co-driver's door	S28	–	–	○	–	£60.00	£72.00
	Armrests on both sides for front passenger	S38	–	–	○	–	£160.00	£192.00
	Seat belts orange, driver and co-driver	S62	○	○	○	○	£40.00	£48.00
	Reinforced seat base	S86	○	○	○	–	£130.00	£156.00
	Deletion, co-driver's seat	S91	○	○	○	○	–£125.00	–£150.00
	Seat base for front passenger's seat not provided	S99	–	○	○	–	£0.00	£0.00
	Comfort driver's seat	SB1	–	–	○	–	£180.00	£216.00
	Comfort co-driver's seat	SB2	–	–	○	–	£180.00	£216.00
	Suspension seat, comfort version, driver's seat	SB3	–	–	○	–	£595.00	£714.00
	Suspension seat, comfort version, co-driver's seat	SB4	–	–	○	–	£595.00	£714.00
	Driver's seat plus	SB9	○	○	○	○	£30.00	£36.00
	Lumbar support, co-driver's seat	SE4	–	–	○	–	£95.00	£114.00
	Lumbar support, driver's seat	SE5	–	–	○	–	£95.00	£114.00
	Driver's seat electrically adjustable	SF1	–	–	○	–	£1,215.00	£1,458.00
	Co-driver's seat electrically adjustable	SF2	–	–	○	–	£1,215.00	£1,458.00
	Convenience head restraint, driver's seat	SK0	○	○	○	○	£70.00	£84.00
	Convenience head restraint, co-driver	SK1	–	–	○	–	£140.00	£168.00
	No front passenger height-adjustable belt & buckle	SW1	–	○	○	–	–£40.00	–£48.00
	Stowage net on driver's seat backrest	SZ7	–	–	○	–	£60.00	£72.00
	Stowage net on co-driver's seat backrest	SZ8	–	–	○	–	£60.00	£72.00
	Driver's seat	S02	●	●	●	●	–	–
	Armrest for driver's seat	S22	○	○	●	○	£80.00	£96.00
	Trim	Fabric Maturin black	VF7	●	●	●	●	–
Rear cab wall lining		V07	○	○	○	○	£245.00	£294.00
Fabric Caluma black		VF4	○	○	○	○	£205.00	£246.00
ARTICO man-made leather, black		VF6	○	○	○	○	£205.00	£246.00

Changes to individual option availability and combinations may occur depending on vehicle specification choices and the continuing evolution and adaptation of our product range. These changes may not be immediately reflected in this document as they occur, but will be introduced at the next revision opportunity. Prices are based on Chassis RWD where available. Prices can vary according to vehicle specification.

Equipment (standard and optional overview).

● Standard ○ Optional – Not available



RETURN TO START

Category	Description	Option code	Chassis cab FWD	Chassis cab RWD	Chassis cab PRO RWD	Chassis Crewcab RWD	Basic Price excl. VAT	Basic Price incl. VAT
Interior Features (cont.)								
Steering wheel	Multifunction steering wheel	C6L	●	●	●	●	–	–
	Height and rake adjustable steering wheel	CL1	●	●	●	●	–	–
	Leather-cov. steering wheel and shift lever	CL2	–	–	○	–	£260.00	£312.00
	Leather steering wheel	CL3	–	–	○	–	£215.00	£258.00
Storage	Clothes hook in passenger compartment	FF0	–	–	–	●	–	–
	Shelf above windscreen	FF5	●	●	●	●	–	–
	Stowage compartment underneath cockpit	FJ4	●	●	●	●	–	–
	Preinstallation for switch panel	E3J	●	●	●	●	–	–
	Single-size slot at front under roof liner	FF8	○	○	○	○	£105.00	£126.00
	Cup holders front	FG8	○	○	○	○	£40.00	£48.00
	Hinged lid for stowage compartment	FJ1	○	○	○	○	£120.00	£144.00
	Hinged lid for stowage compartments left and right	FJ5	○	○	○	○	£130.00	£156.00
	Omission of shelf above windscreen	FW6	–	○	○	○	–£75.00	–£90.00
	Lockable unit in stow. compartment over windscreen	FQ6	○	○	○	○	£60.00	£72.00
Technology Software and Electrics								
Alternators	Alternator 14 V/220 A	M46	●	–	–	–	–	–
	Alternator 14 V/250 A	M60	–	●	●	●	–	–
	Alternator 14 V/280 A	M61	–	○	○	○	£965.00	£1,158.00
Audio Entertainment	MBUX multimedia system	E7M	●	●	●	●	–	–
	Digital radio (DAB)	E1D	●	●	●	●	–	–
	Communication module (LTE) for digital services	JH3	●	●	●	●	–	–
	Acoustic package	XM4	●	●	●	●	–	–
	Tray for smartphones incl. wireless charging	E1B	○	○	○	○	£190.00	£228.00
	Navigation	E1E	–	–	○	–	£875.00	£1,050.00
	Smartphone Integration package Required for Apple CarPlay and Android Auto functionality	E4S	●	●	●	●	–	–

Changes to individual option availability and combinations may occur depending on vehicle specification choices and the continuing evolution and adaptation of our product range. These changes may not be immediately reflected in this document as they occur, but will be introduced at the next revision opportunity. Prices are based on Chassis RWD where available. Prices can vary according to vehicle specification.

Equipment (standard and optional overview).

● Standard ○ Optional – Not available



RETURN TO START

Category	Description	Option code	Chassis cab FWD	Chassis cab RWD	Chassis cab PRO RWD	Chassis Crewcab RWD	Basic Price excl. VAT	Basic Price incl. VAT
Technology Software and Electrics (cont.)								
Battery	Jump start contact	ES0	●	●	●	●	–	–
	Additional battery f. retrofit consumers, interior	E2I	○	○	○	○	£305.00	£366.00
	Battery main switch, single-pin	E30	○	○	○	○	£135.00	£162.00
	Cut-off relay for auxiliary battery	E36	○	○	○	○	£135.00	£162.00
	AGM battery, 12 V 70 Ah	ED1	○	○	○	○	£0.00	£0.00
	heavy-duty battery	ED4	●	●	●	●	–	–
	Engine run-on system (only for blue light and armed services)	MW1	○	○	○	○	£740.00	£888.00
Electronics	Electric system for non-DB body	L72	●	●	●	●	–	–
	USB-C socket, 5 V	E1U	●	●	●	●	–	–
	Plug socket in cab	E46	○	○	○	○	£75.00	£90.00
	Extension of PSM standard contact	E5M	○	○	○	○	£75.00	£90.00
	Parameterizable special module	ED5	○	○	○	○	£470.00	£564.00
	Preinstallations electrical system, PSM	ED8	●	●	●	●	–	–
	Terminal strip for electrical connection	EK1	●	●	●	●	–	–
	Charging package, dashboard	ES5	○	○	○	○	£120.00	£144.00
Keys	Multi-button remote control	FY7	○	○	○	–	£40.00	£48.00
	Two additional master keys	FZ9	○	○	○	○	£155.00	£186.00
Tachograph	Tachograph control under dashboard, co-driver side	J2B	○	○	○	○	£0.00	£0.00
	Omission tachograph	J92	–	○	○	○	£0.00	£0.00
	Intelligent tachograph, EU (standard over 3.5t)	JD6	○	○	○	○	£980.00	£1,176.00
Driver's Assistance and Safety Equipment								
Airbags	Airbag, front driver's seat	SA5	●	●	●	●	–	–
	Airbag, co-driver	SA6	●	●	●	●	–	–
	Thorax-pelvis sidebag, driver	SH1	○	○	○	○	£305.00	£366.00
	Thorax-pelvis sidebag, co-driver	SH2	○	○	○	○	£305.00	£366.00
	Windowbags for driver and co-driver	SH9	○	○	○	○	£880.00	£1,056.00

Changes to individual option availability and combinations may occur depending on vehicle specification choices and the continuing evolution and adaptation of our product range. These changes may not be immediately reflected in this document as they occur, but will be introduced at the next revision opportunity. Prices are based on Chassis RWD where available. Prices can vary according to vehicle specification.

Equipment (standard and optional overview).

● Standard ○ Optional — Not available



RETURN TO START

Category	Description	Option code	Chassis cab FWD	Chassis cab RWD	Chassis cab PRO RWD	Chassis Crewcab RWD	Basic Price excl. VAT	Basic Price incl. VAT
Driver's Assistance and Safety Equipment (cont.)								
Brake	Active Brake Assist	BA3	●	●	●	●	—	—
	Adaptive brake light	LE1	●	●	●	●	—	—
	Electrical parking brake (not available on 5t)	B25	○	○	○	○	£345.00	£414.00
	Folding handbrake lever	BE2	○	○	○	○	£70.00	£84.00
	HOLD function in conjunction with G42 or GK8 only	BH1	○	○	○	○	£0.00	£0.00
	Hill-Start Assist	E07	●	●	●	●	—	—
	Chock comes as standard over 3.5t	Y26	○	○	○	○	£55.00	£66.00
Driver's Assistance	Pre-installation, Blind Spot Assist, bodybuilder	J1V	●	●	●	●	—	—
	Crosswind Assist	JA8	●	●	●	●	—	—
	Active Lane Keeping Assist	JB4	●	●	●	●	—	—
	Rain sensor	JF1	●	●	●	●	—	—
	Intelligent Speed Assistant	JS2	●	●	●	●	—	—
	ATTENTION ASSIST	JW8	●	●	●	●	—	—
	Sideguard Assist	JT7	●	●	●	●	—	—
	Comfort overhead control panel LED interior lighting Including cab downlighting and reading lamps, also includes a spectacles compartment.	LC4	●	●	●	●	—	—
	Cruise control	MS1	●	●	●	●	—	—
	Tyre pressure monitoring front/rear, wireless	RY2	●	●	●	●	—	—
	Active Distance Assist DISTRONIC	ET4	—	—	○	—	£675.00	£810.00
	Pre-wiring reversing camera w. int. mirror display	FV1	●	●	●	●	—	—
	Traffic Sign Assist	JA9	—	—	○	—	£350.00	£420.00
	Reversing warning device	JW0	○	○	○	○	£220.00	£264.00
	Wet Wiper system	FM3	○	○	○	○	£130.00	£156.00
First aid kit	Y10	○	○	○	○	£60.00	£72.00	
Warning triangle	Y44	○	○	○	○	£40.00	£48.00	

Changes to individual option availability and combinations may occur depending on vehicle specification choices and the continuing evolution and adaptation of our product range. These changes may not be immediately reflected in this document as they occur, but will be introduced at the next revision opportunity. Prices are based on Chassis RWD where available. Prices can vary according to vehicle specification.

Equipment (standard and optional overview).

● Standard ○ Optional – Not available



RETURN TO START

Category	Description	Option code	Chassis cab FWD	Chassis cab RWD	Chassis cab PRO RWD	Chassis Crewcab RWD	Basic Price excl. VAT	Basic Price incl. VAT
Driver's Assistance and Safety Equipment (cont.)								
Road speed limiters	Linear speed limiter 120 km/h	MD3	○	○	○	○	£170.00	£204.00
	Linear speed limiter 90 km/h EG (standard over 3.5t)	MD4	○	○	○	○	£170.00	£204.00
	Linear speed limiter 100 km/h EG	MD5	○	○	○	○	£170.00	£204.00
	Speed limiter, 110 km/h	MK0	○	○	○	○	£170.00	£204.00
	Speed limiter, 130 km/h	MK2	○	○	○	○	£170.00	£204.00
Safety	Mercedes-Benz emergency call system	EY5	●	●	●	●	–	–
	Breakdown management	EY6	●	●	●	●	–	–
	Seat belt reminder for co-driver seat	J55	●	●	●	●	–	–
	Seat belt warning for driver's seat	J58	●	●	●	●	–	–
	Outside temperature indicator	J65	●	●	●	●	–	–
	ECO start/stop function	MJ8	●	●	●	●	–	–
	Deactivation of bulb failure indicator	JW2	●	●	●	●	–	–
	Incorrect fuelling protection system	K51	○	○	○	○	£60.00	£72.00
	Clearance light on roof	LB8	○	○	○	○	£370.00	£444.00
Lighting								
Lighting	Lights for left hand traffic	L10	●	●	●	●	–	–
	Omission parking lamp	L94	●	●	●	●	–	–
	Headlight assistant	LA2	●	●	●	●	–	–
	Side marker lights	LB1	●	●	●	●	–	–
	Fog lamps with cornering light function	L13	○	○	○	○	£245.00	£294.00
	Directional indicators on front wings	L44	○	○	○	○	£135.00	£162.00
	Tail light wiring harness, extended	L76	○	○	○	○	£105.00	£126.00
	Highbeam Assist	LA1	–	–	○	–	£340.00	£408.00
	Preparation for side marker lights	LB2	○	○	○	○	£0.00	£0.00
	Exit lamps	LB9	○	○	○	○	£75.00	£90.00
	LED High Performance headlamps	LG7	–	–	○	–	£1,760.00	£2,112.00

Changes to individual option availability and combinations may occur depending on vehicle specification choices and the continuing evolution and adaptation of our product range. These changes may not be immediately reflected in this document as they occur, but will be introduced at the next revision opportunity. Prices are based on Chassis RWD where available. Prices can vary according to vehicle specification.

Equipment (standard and optional overview).

● Standard ○ Optional — Not available



RETURN TO START

Category	Description	Option code	Chassis cab FWD	Chassis cab RWD	Chassis cab PRO RWD	Chassis Crewcab RWD	Basic Price excl. VAT	Basic Price incl. VAT
Loading and Towing								
Gross vehicle weight	Weight variant 3.550 kg available as an uprated payload for vehicles of weight class 3,500kg FWD or RWD	XG4	○	○	○	○	£575.00	£690.00
Towing	Trailer socket, 13-pin	E43	○	○	○	○	£295.00	£354.00
	Electrical components for trailer socket	E57	●	●	●	●	—	—
	Cross member for coupling	Q10	○	○	○	○	£415.00	£498.00
	Trailer coupling, rigid coupling head	Q22	○	○	○	○	£665.00	£798.00
	Trailer coupling ball headed removable	Q50	—	—	○	—	£895.00	£1,074.00
	Towing eye rear (not available on 5t)	Q67	○	○	○	○	£30.00	£36.00
	Veh. pre-installation f.trailer load up to 3500 kg	QA3	—	○	○	○	£390.00	£468.00
	Veh. pre-installation f.trailer load up to 2800 kg (not available on 5t)	QA5	—	○	○	○	£270.00	£324.00
	Trailer coupling for increased towing capa. 3.5t	QA7	—	○	○	○	£1,515.00	£1,818.00
Increased Towing capacity 2.8t/3.0t	QA8	—	○	○	○	£1,400.00	£1,680.00	
Mirrors & Windows								
Mirrors	Extended mirror bracket	FS1	●	●	●	●	—	—
	Exterior mirror heated and electr. adjustable	F68	●	●	●	●	—	—
	Exterior mirrors without indicators	FU5	○	○	○	○	£0.00	£0.00
	Rear mirror inside	F61	○	○	○	○	£65.00	£78.00
	Omission of extended mirror bracket	FA70	○	○	○	○	£0.00	£0.00
Windows	Omission of window in cab rear wall	FB00	○	○	○	○	£0.00	£0.00
	Heat-insulating glass w.band filter on windscreen	H21	●	●	●	●	—	—
	Windscreen, heated	F49	—	—	○	—	£380.00	£456.00

Changes to individual option availability and combinations may occur depending on vehicle specification choices and the continuing evolution and adaptation of our product range. These changes may not be immediately reflected in this document as they occur, but will be introduced at the next revision opportunity. Prices are based on Chassis RWD where available. Prices can vary according to vehicle specification.

Engine and gearbox.



RETURN TO START

	Euro 6e		Euro VI		
	x15	x17	x15	x17	x19
Fuel	Diesel		Diesel		
Mixture preparation/injection method	Common-rail direct injection with twin stage turbocharging		Common-rail direct injection with twin stage turbocharging		
Cylinder arrangement	4cyl 16v		4cyl 16v		
Cubic capacity	1,950cc		1,950cc		
EU exhaust emission standard	Euro 6e		Euro VI		
Output, max. at 3,800rpm	150hp	170hp	150hp	170hp	190hp
Torque, max.	max. 340 Nm at 1,500 – 2,400 rpm	max. 400 Nm at 1,700 – 2,400 rpm	max. 340 Nm at 1,500 – 2,400 rpm	max. 400 Nm at 1,700 – 2,400 rpm	max. 450 Nm at 1,400 to 2,400 rpm
Fuel tank capacity FWD	65 litres		–		
Fuel tank capacity RWD	71 litres		71 litres		
AbBlue® capacity	22 litres		22 litres		
6-speed manual transmission	●	●	●	●	●
9G-TRONIC	○	○	○	○	○
FWD	●	–	–	–	–
RWD	●	●	●	●	●
Alternator	14 V/250 A		14 V/250 A		
Battery	Heavy-duty battery (12 V 92 aH)		Heavy-duty battery (12 V 92 aH)		

● Standard ○ Optional – Not available

Fuel consumption, performance and CO₂ emissions.



RETURN TO START

Model	WLTP Fuel Consumption (l/100km/MPG)				
	Combined	Low (Extra Urban)	Medium (Urban)	High (Rural)	Extra High (Motorway)
Chassis Cab					
315 Chassis L2 FWD	9.4/ 30	9.9/ 28.5	7.9/ 35.7	8/ 35.3	11.8/ 23.9
315 Chassis L2 RWD	9.1/ 31	9.8/ 28.8	7.5/ 37.6	7.6/ 37.1	11.4/ 24.7
315 Chassis L3 RWD	9.1/ 31	9.8/ 28.8	7.5/ 37.6	7.6/ 37.1	11.4/ 24.7
317 Chassis L2 RWD	9.1/ 31	9.5/ 29.7	7.5/ 37.6	7.6/ 37.1	11.4/ 24.7
317 Chassis L3 RWD	9.1/ 31	9.5/ 29.7	7.5/ 37.6	7.6/ 37.1	11.4/ 24.7
417 Chassis L2 RWD	TBC	TBC	TBC	TBC	TBC
417 Chassis L3 RWD	TBC	TBC	TBC	TBC	TBC
515 Chassis L2 RWD	13.9/ 20.3	13.4/ 21	11.7/ 24.1	12.5/ 22.5	16.5/ 17.1
515 Chassis L3 RWD	13.9/ 20.3	13.4/ 21	11.7/ 24.1	12.5/ 22.5	16.5/ 17.1
317 Chassis L2 PRO RWD	9.1/ 31	9.5/ 29.7	7.5/ 37.6	7.6/ 37.1	11.4/ 24.7
417 Chassis L3 PRO RWD	TBC	TBC	TBC	TBC	TBC
515 Chassis L3 PRO RWD	13.9/ 20.3	13.4/ 21.0	11.7/ 24.1	12.5/ 22.5	16.5/ 17.1
517 Chassis L3 PRO RWD	14.2/ 19.8	13.0/ 21.7	11.7/ 24.1	12.5/ 22.5	17.7/ 15.9
519 Chassis L2 PRO RWD	15.6/ 18.1	14.4/ 19.6	12.5/ 22.5	13.5/ 20.9	19.8/ 14.2
519 Chassis L3 PRO RWD	15.6/ 18.1	14.4/ 19.6	12.5/ 22.5	13.5/ 20.9	19.8/ 14.2
Chassis Crewcab					
315 Crew chassis cab L3 RWD	9.4/ 30	10.1/ 27.9	7.8/ 36.2	7.9/ 35.7	11.7/ 24.1
515 Crew chassis cab L3 RWD	13.9/ 20.3	13.4/ 21	11.7/ 24.1	12.5/ 22.5	16.5/ 17.1

All figures are based on a standard specification. The addition of factory options may affect CO₂ emissions and corresponding Road Fund Licence. The indicated values were determined according to the prescribed measurement method – Worldwide Harmonised Light Vehicle Test Procedure (WLTP). Figures shown may include options which are not available in the UK. Figures shown are for comparability purposes; only compare with other vans tested to the same technical procedures. Figures may not reflect real life driving results, which will depend upon a number of factors including Body fitted, factory-fitted options, accessories fitted (post registration), variations in weather, driving styles and vehicle load. Further information about the test used to establish fuel consumption and CO₂ figures can be found at <https://www.Mercedes-Benz.co.uk/vans/en/WLTP>

Fuel consumption, performance and CO₂ emissions.



RETURN TO START

Model	WLTP CO ₂ emissions (g/km)				
	Combined	Low (Extra Urban)	Medium (Urban)	High (Rural)	Extra High (Motorway)
Chassis Cab					
315 Chassis L2 FWD	248	260	208	210	309
315 Chassis L2 RWD	239	257	196	201	299
315 Chassis L3 RWD	239	257	196	201	299
317 Chassis L2 RWD	239	250	197	200	298
317 Chassis L3 RWD	239	250	197	200	298
417 Chassis L2 RWD	TBC	TBC	TBC	TBC	TBC
417 Chassis L3 RWD	TBC	TBC	TBC	TBC	TBC
515 Chassis L2 RWD	364	352	306	328	433
515 Chassis L3 RWD	364	352	306	348	433
317 Chassis L2 PRO RWD	239	250	197	200	298
417 Chassis L3 PRO RWD	TBC	TBC	TBC	TBC	TBC
515 Chassis L3 PRO RWD	364	352	306	328	433
517 Chassis L3 PRO RWD	374	340	307	328	466
519 Chassis L2 PRO RWD	410	376	328	354	518
519 Chassis L3 PRO RWD	410	376	328	354	518
Chassis Crewcab					
315 Crew chassis cab L3 RWD	248	266	206	208	306
515 Crew chassis cab L3 RWD	364	352	306	328	433

All figures are based on a standard specification. The addition of factory options may affect CO₂ emissions and corresponding Road Fund Licence. The indicated values were determined according to the prescribed measurement method – Worldwide Harmonised Light Vehicle Test Procedure (WLTP). Figures shown may include options which are not available in the UK. Figures shown are for comparability purposes; only compare with other vans tested to the same technical procedures. Figures may not reflect real life driving results, which will depend upon a number of factors including Body fitted, factory-fitted options, accessories fitted (post registration), variations in weather, driving styles and vehicle load. Further information about the test used to establish fuel consumption and CO₂ figures can be found at <https://www.Mercedes-Benz.co.uk/vans/en/WLTP>

Weights and payloads.



RETURN TO START

Model	Kerb weight, with driver (Kg)*	Gross Vehicle Weight (Kg)	Payload (Kg)	Gross Train Weight (Kg)
Chassis Cab				
315 Chassis L2 FWD	1,775	3,500	1,725	5,500
315 Chassis L2 RWD	1,841	3,500	1,659	5,500
315 Chassis L3 RWD	1,874	3,500	1,626	5,500
317 Chassis L2 RWD	1,841	3,500	1,659	5,500
317 Chassis L3 RWD	1,874	3,500	1,626	5,500
417 Chassis L2 RWD	1,852	4,100	2,248	6,100
417 Chassis L3 RWD	1,885	4,100	2,215	6,100
515 Chassis L2 RWD	2,038	5,000	2,962	7,000
515 Chassis L3 RWD	2,078	5,000	2,922	7,000
317 Chassis L2 PRO RWD	1,880	3,500	1,620	5,500
417 Chassis L3 PRO RWD	1,922	4,100	2,178	6,100
515 Chassis L3 PRO RWD	2,115	5,000	2,885	7,000
517 Chassis L3 PRO RWD	2,115	5,000	2,885	7,000
519 Chassis L2 PRO RWD	2,089	5,000	2,911	7,000
519 Chassis L3 PRO RWD	2,129	5,000	2,871	7,000
Chassis Crewcab				
315 Crew chassis cab L3 RWD	2,062	3,500	1,438	5,500
515 Crew chassis cab L3 RWD	2,280	5,000	2,720	7,000

* Based on a driver weight of 75kg.

Dimensions.

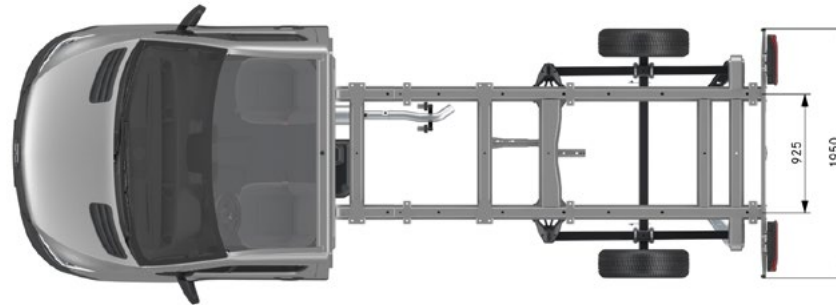
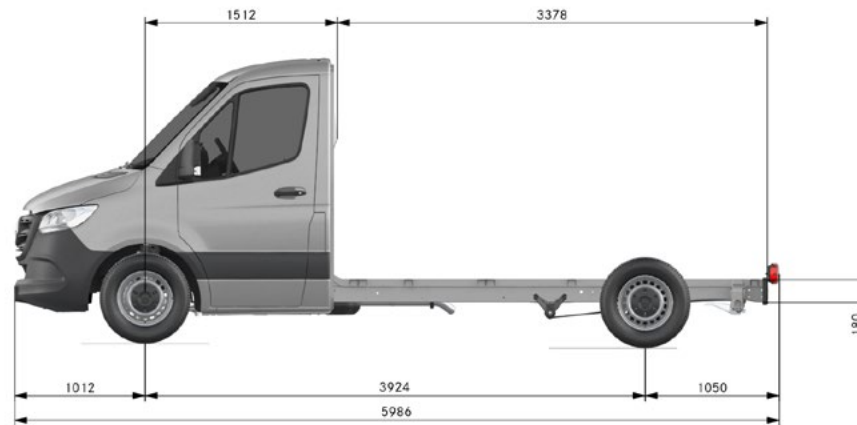


RETURN TO START

CHASSIS CAB FRONT-WHEEL DRIVE L2

Wheelbase	Wheelbase length	3,924mm
	Turning circle	15.2m
	Track circle	14.4m
	Front track width	1,759mm
	Rear track width	1,770mm
Vehicle	Length	5,986mm
	Height (unladen)	2,292mm
	Width (inc. wing mirrors)	2,345mm
	Ground clearance	143mm

Dimensions can vary according to trim level and GVW.



Dimensions.

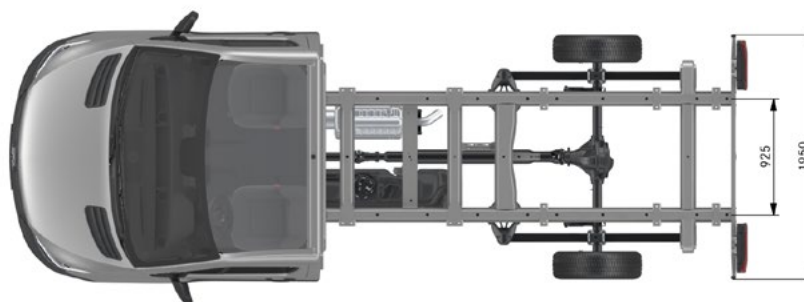
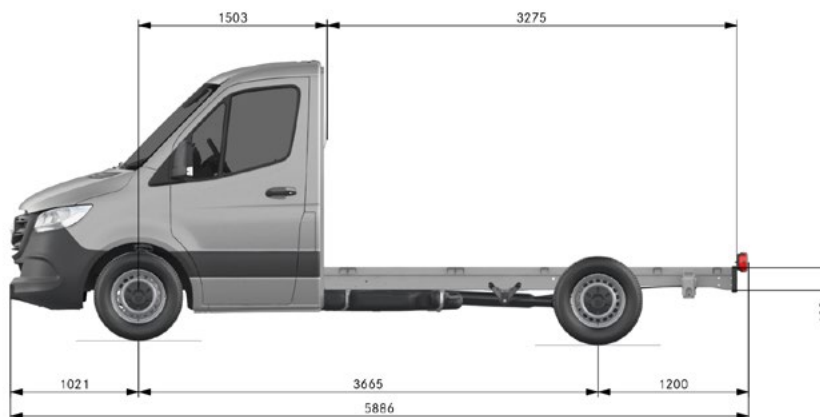


RETURN TO START

CHASSIS CAB REAR-WHEEL DRIVE 3.5 TONNE L2

Wheelbase	Wheelbase length	3,665mm
	Turning circle	13.3m
	Track circle	12.4m
	Front track width	1,726mm
	Rear track width	1,732mm
Vehicle	Length	5,886mm
	Height (unladen)	2,288mm
	Width (inc. wing mirrors)	2,345mm
	Ground clearance	162mm

Dimensions can vary according to trim level and GVW.



Dimensions.

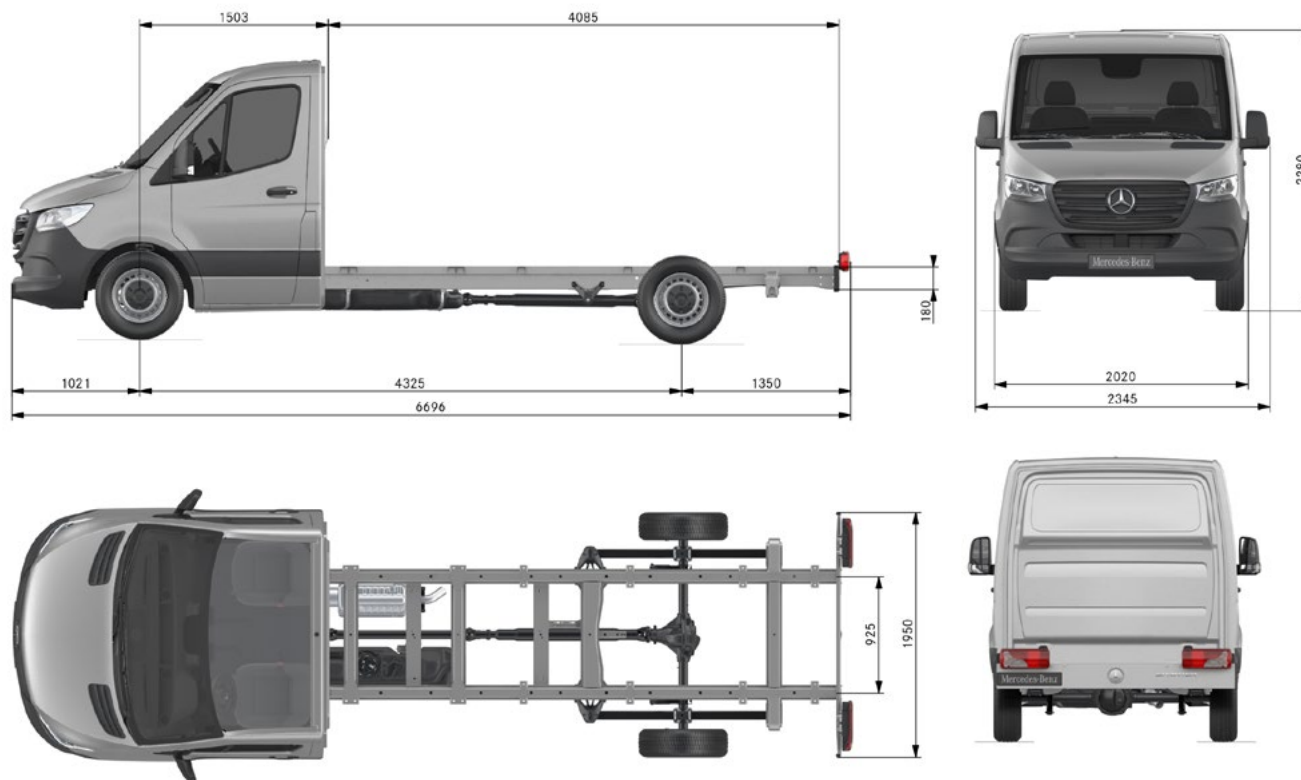


RETURN TO START

CHASSIS CAB REAR-WHEEL DRIVE 3.5 TONNE L3

Wheelbase	Wheelbase length	4,325mm
	Turning circle	15.3m
	Track circle	14.4m
	Front track width	1,726mm
	Rear track width	1,732mm
Vehicle	Length	6,696mm
	Height (unladen)	2,280mm
	Width (inc. wing mirrors)	2,345mm
	Ground clearance	161mm

Dimensions can vary according to trim level and GVW.



Dimensions.

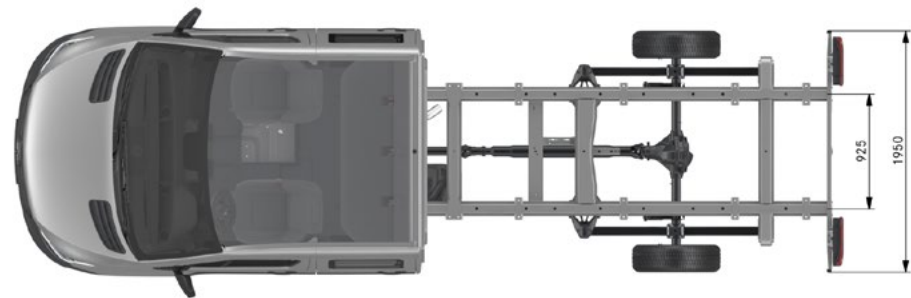
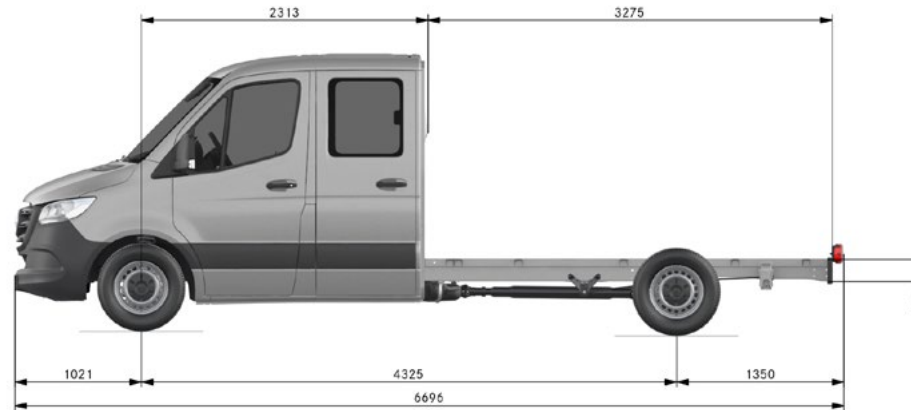


RETURN TO START

CHASSIS CREWCAB REAR-WHEEL DRIVE 3.5 TONNE L3

Wheelbase	Wheelbase length	4,325mm
	Turning circle	15.3m
	Track circle	14.4m
	Front track width	1,726mm
	Rear track width	1,732mm
Vehicle	Length	6,696mm
	Height (unladen)	2,301mm
	Width (inc. wing mirrors)	2,345mm
	Ground clearance	188mm

Dimensions can vary according to trim level and GVW.



List prices.



RETURN TO START

Model	Basic Recommended Retail Price (Ex. VAT)	Basic Recommended Retail Price (Inc. VAT)
Chassis Cab		
315 Chassis L2 FWD	£40,485	£48,582
315 Chassis L2 RWD	£42,545	£51,054
315 Chassis L3 RWD	£43,095	£51,714
317 Chassis L2 RWD	£43,590	£52,308
317 Chassis L3 RWD	£44,140	£52,968
417 Chassis L2 RWD	£45,960	£55,152
417 Chassis L3 RWD	£46,510	£55,812
515 Chassis L2 RWD	£51,980	£62,376
515 Chassis L3 RWD	£52,530	£63,036
317 Chassis L2 PRO RWD	£45,560	£54,672
417 Chassis L3 PRO RWD	£48,475	£58,170
515 Chassis L3 PRO RWD	£54,495	£65,394
517 Chassis L3 PRO RWD	£55,540	£66,648
519 Chassis L2 PRO RWD	£56,705	£68,046
519 Chassis L3 PRO RWD	£57,255	£68,706
Chassis Crewcab		
315 Crew chassis cab L3 RWD	£46,635	£55,962
515 Crew chassis cab L3 RWD	£56,090	£67,308

- › All prices based on manual transmission. Automatic transmissions available as an option – [see page 10](#)
- › For special orders please consult your local Dealer – [find your nearest Dealership](#)

This document is for guidance only and must be used in conjunction with a configuration tool prior to final specification decisions and vehicle quotations being prepared and accepted. List prices are quoted ex-factory unless otherwise stated. Delivery charges excluding VAT will be added to model prices quoted in this document. Prices based on standard finish paint choice. Mercedes-Benz Vans UK and authorised Dealers reserve the right to alter specification and vary prices without notice. The availability of options may depend on the chosen base vehicle and other optional equipment specified, and should be confirmed with your Mercedes-Benz Vans Dealer prior to order placement. VAT is calculated at the standard rate of 20%. Mercedes-Benz Vans UK Ltd, Tongwell, Milton Keynes MK15 8BA.



RETURN TO START

Mercedes-Benz Finance options.

Choose an agreement that suits you with Mercedes-Benz Finance.

At Mercedes-Benz Finance we understand what it takes to run a modern-day business. Because of this, we have a number of finance options ready to suit your business needs.

Agility (Personal Contract Plan)

Agility (Personal Contract Plan) is our most flexible method of financing. You drive the vehicle over a fixed term, with fixed monthly payments. And at the end of the agreement, you decide whether you want to:

- Buy another Mercedes-Benz.
- Purchase your van by paying the Optional Purchase payment (balloon) and Option to Purchase Fee.
- Return it to us.

As a business customer, your vehicle can also appear as an asset on your balance sheet.

[For more information about Agility.](#)

Hire Purchase

A straightforward route to ownership. This product allows you to spread the overall cost of your Mercedes-Benz over a fixed term.

As a business customer, your vehicle can also appear as an asset on your balance sheet.

[For more information on Hire Purchase.](#)

Operating Lease

A solution for those who want to drive one of our vehicles over a specific term, with fixed monthly rentals and without the commitment of ownership of the vehicle.

As a business customer, your vehicle can also appear as an asset on your balance sheet.

[For more information on Operating Lease.](#)

Contract Hire

A solution for those who want to drive one of our vans over a specific term, with fixed monthly rentals and without the need to commit to ownership of the vehicle. This includes the cost of your Vehicle Excise Duty (also known as Road Fund Licence) for the duration of your agreement.

As a business customer, your vehicle can also appear as an asset on your balance sheet.

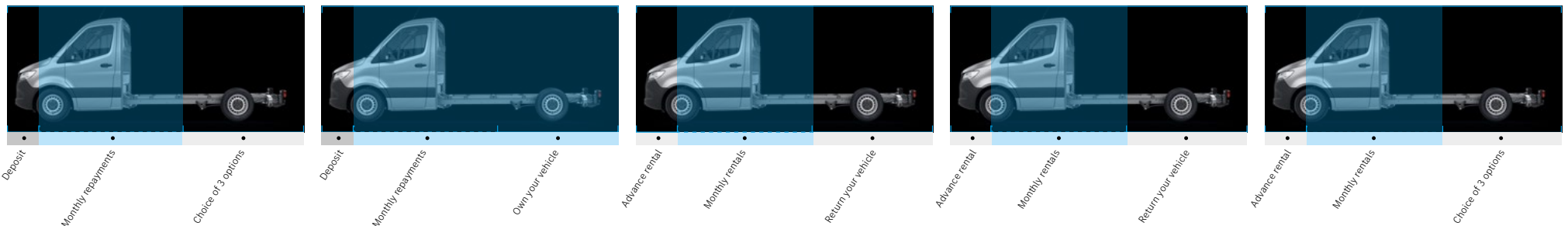
[For more information on Contract Hire.](#)

Finance Lease

Finance Lease gives you the ability to enjoy driving a Mercedes-Benz Van for a fixed time without the option of ownership. With this option you lease your vehicle for a fixed period and for fixed monthly rentals.

As a limited company or PLC customer, your vehicle can also appear as an asset on your balance sheet.

[For more information on Finance Lease.](#)



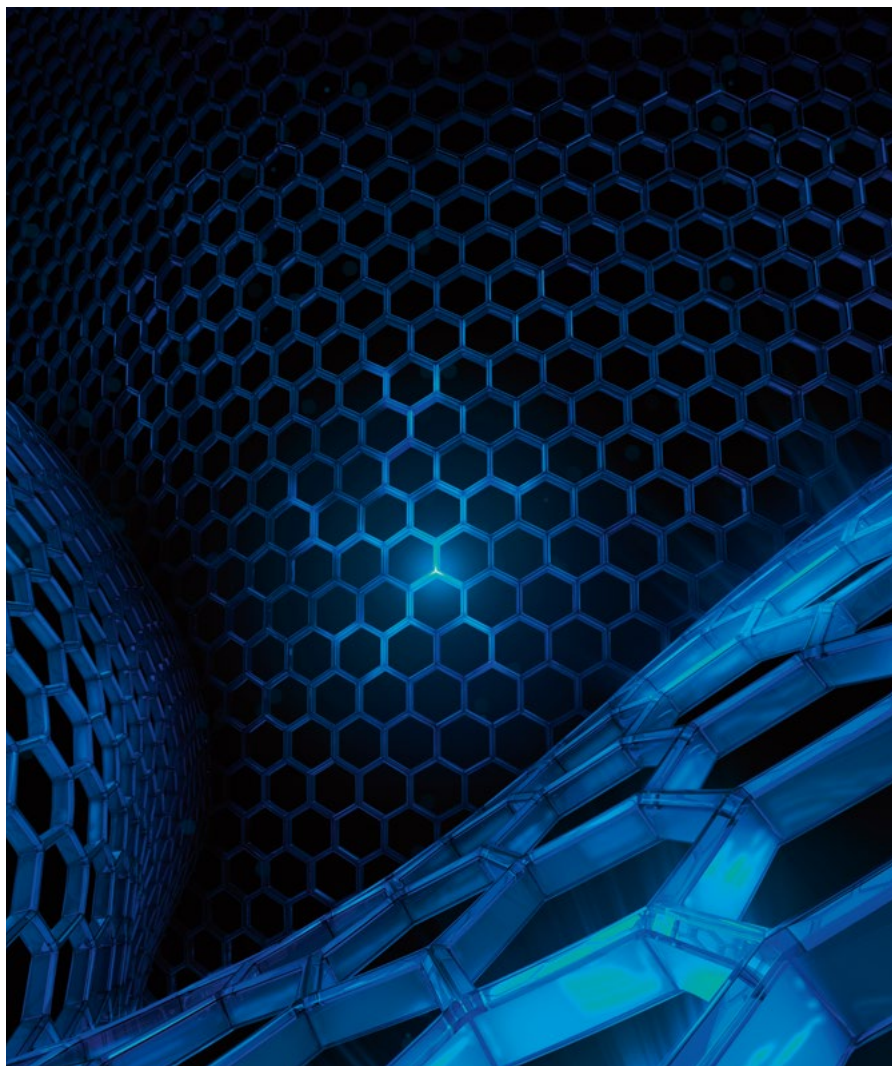
[For more information about our finance options](#)

The Mercedes-Benz App.



RETURN TO START

Monitor your van's status, location and security via your smartphone.



ASSISTANCE & AFTERCARE		FREE
Telediagnosics & Maintenance Management	Receive a notification when wear is detected on diagnostic-capable parts such as brake pads and get advance notice of when a service is due allowing you to plan your workshop visit well in advance to minimise any impact on your business.	
Remote Vehicle Diagnostics	Your Dealer can assess your van's condition remotely allowing them to check if any other repairs are required ahead of a service.	
Accident Recovery & Breakdown Management	Once an emergency call has been resolved or if you request breakdown assistance, further support is offered to help recover your van or to tow it to a Mercedes-Benz Service outlet.	
Software updates	Over-the-air software updates are sent directly to your van's head unit. This means you'll always know your software is up to date and you'll save time by avoiding additional workshop visits.	
VEHICLE SUPERVISION		FREE FOR 3 YEARS
Vehicle Tracker	See your van's location on the map in your app, making it easy to call or message your driver and re-route them to fit in another delivery or pick-up if a quicker route is available. The tracker is factory fitted equipment so it can't be easily removed if stolen.	
Parked Vehicle Locator	If you're within 1 mile of your van's parked location, the app can generate the most convenient walking route – very handy if you're in unfamiliar surroundings and on a busy schedule.	
REMOTE ACCESS		FREE FOR 3 YEARS
Remote Retrieval of Vehicle Status	Use your app to check on fuel level, tyre pressure, mileage and trip information. Not only does this help you plan your day's journeys, it can save you admin time on tasks such as logging your mileage for expenses.	
Remote Door Locking & Unlocking	The app allows you to check if your van is locked. If you lock your keys in the van or need to give another driver access, you can do it via the app, from any distance away. For added peace of mind, you'll receive an email notification when your vehicle is unlocked.	

Mercedes-Benz Approved Used vans.

Get used to more...

More choice. More confidence. More quality – and more added extras.

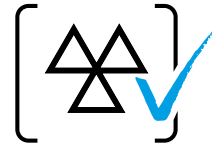
As a Mercedes-Benz Approved Used customer, you'll have complete peace of mind as every van offers the same commitment to quality and workmanship as new and comes with:



12-24 month warranty option*



Free MOT test failure cover** covering you for £1,500



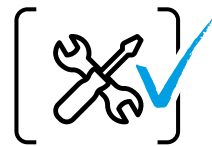
Minimum 3 months MOT



Free 24/7 breakdown cover and roadside assistance^



Comprehensive multi-point vehicle check



Discounted service plans

▶ [View our Dealer Networks Approved Used van stock](#)

* Warranty eligible up to 200,000 miles on approved used Mercedes-Benz Vans with less than 150,000 miles at point of sale. For full T&Cs, please speak to your preferred sales representative. ** MOT cover redeemable per 12-months warranty. £1,500 claims limit. For more information, please speak to your preferred sales representative. ^ Free for 12 months initially and renewed at each service, if serviced by Mercedes-Benz according to service intervals for up to 30 years from when the vehicle was first registered. For a full list of exclusions and all product terms please visit mbvans.co.uk/mobilovan ^^ Available on single vehicle policies only and applicable on Vehicles up to 3.5t only. For full terms and conditions, please consult your local Dealer. Mercedes-Benz Van Insurance is a trading name of Mercedes-Benz Insurance Services UK Limited. Prices are correct at time of going to press 01/2025. All prices are subject to any fiscal or legislative changes.



Approved
Used



What is an Approved Used van?

- Is no older than 6 years old
- Has less than 150,000 miles on the clock
- Is eligible for one of our flexible finance plans

▶ [Find more information and our latest Approved Used offers](#)

Ready to go electric?

▶ [Find our latest Approved Used Electric offers](#)

The Mercedes-Benz Sprinter

28

Overview

Sprinter Chassis Cab

Sprinter Chassis Crewcab

Colours

MBUX

Equipment

Engine and gearbox

Fuel consumption

Weights and payloads

Dimensions

List prices

Finance Options

Mercedes-Benz App

Approved Used

Aftercare

Service24: Demand more

The most comprehensive Aftercare package – for businesses that demand more.

Our 120-strong Dealer network works around the clock to service and maintain your vans and keep your business moving. It all adds up to more value, more flexibility and more confidence that you'll only find at an authorised Mercedes-Benz Dealer.



Flexible servicing and maintenance

Book your service online or by telephone, and as well as a standard 'drop and go' service with a courtesy van, you'll also get:

- Early bird, late night and weekend slots
- Mobile service
- Overnight service
- Collect & deliver service
- Express 1hr service
- Electric van service.

[Find out more about service and repairs](#)

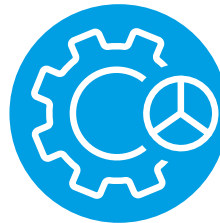


Flexible ways to pay and save

With fixed, transparent national pricing there are no surprises with our services and repairs – plus you can fix, spread and reduce your service and maintenance costs, and ease your cashflow at the same time, with a payment plan.

- Pay as You Go
- ServiceCare Maintenance
- ServiceCare Flex (specifically for fleets)
- ServiceCare Complete.

[Find out more about service options](#)



3-year unlimited mileage warranty

Available on every new van, all service and maintenance – and any work required – is covered by your 3-year unlimited mileage warranty, and is only undertaken by Mercedes-Benz trained technicians using Mercedes-Benz GenuineParts.

[Find out more about warranties](#)



Free breakdown cover & roadside assistance*

Every van comes with free Europe-wide breakdown cover – MobiloVan. And with 3 years' cover on new vehicles for driver mishaps, no one goes further to keep your business moving.

- Trained technicians using only Mercedes-Benz GenuineParts
- Forward travel of load and crew is covered
- Driver mishap cover for the first 3 years, including out of charge cover or empty fuel tanks.

[Find out more about MobiloVan](#)

*For a full list of exclusions and all product terms please visit www.mercedes-benz.co.uk/vans/en/Owners/MobiloVan

The Mercedes-Benz Sprinter

29

